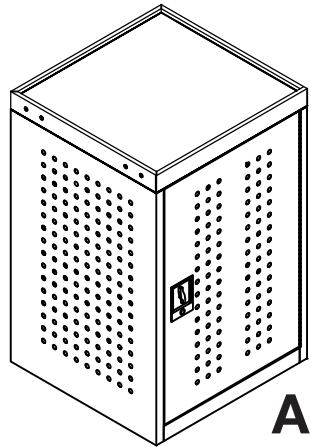
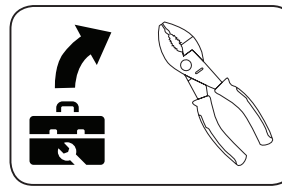
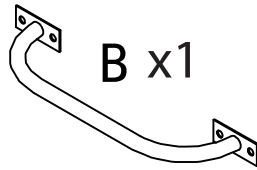


Charging Cart Instructions

11/11/23



A x1



B x1



O x4



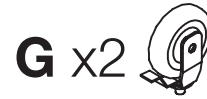
P x4



Q x4



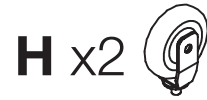
D x1



G x2



J x4



H x2



K x1



F x1

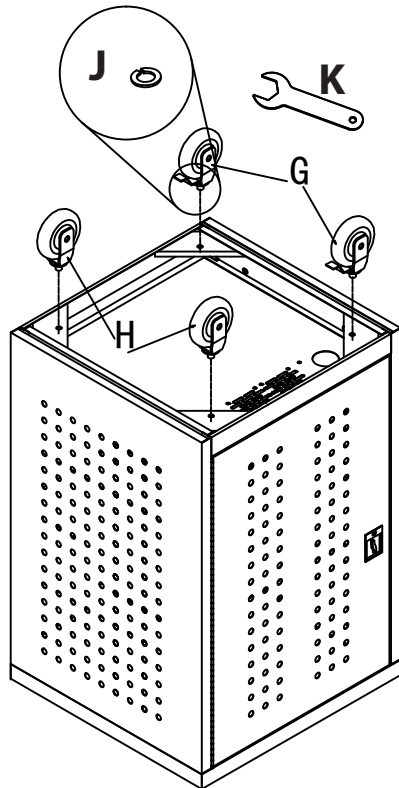


M x1



N x2

1



2



Heavy Lifting:
Assistance
Required

